

- ECONOMICAL AND VERSATILE •
- EXCELLENT AUDIO REPRODUCTION •
- QUALITY WOODEN CONSTRUCTION •
- INSTALLATION FRIENDLY •
- CABINET FOR GENERAL PURPOSE INDOOR APPLICATION •
- COMPLIES WITH INTERNATIONAL INSTALLATION AND SAFETY REQUIREMENTS •

Philips loudspeakers offer a combination of quality, performance and innovation in public address. They are the result of over half a century's experience in professional audio, and meet virtually all sound reinforcement system requirements.

The LBC 3931/00 cabinet loudspeaker is a cost-effective solution for speech and music in public address applications like hotels, offices, shops and sports facilities. The compact 6 W cabinet loudspeaker is for general indoor use where background music is required and intermittent announcements are made.

#### **Stylish, durable construction**

The LBC 3931/00 has an attractive ash wood vinyl laminate finish. The chamfered front baffle has a opaque fine-woven black cloth.

#### **Excellent sound quality**

Improved frequency response in the higher-frequency region means improved speech intelligibility and better music reproduction.

#### **Installation friendly**

The LBC 3931/00 is fitted with a keyhole bracket on the rear plate for wall-mounting.

#### **Power setting**

The unit has a 100 V matching transformer with a choice of taps on the primary winding for full-power, half-power, quarter-power and eighth-power radiation. A convenient easy-to-use push-in terminal block is present for on-site wiring.



## LBC 3931/00

CABINET LOUDSPEAKER

#### **Quality assurance**

All Philips loudspeakers are designed to withstand operating at their rated power for 100 hours in accordance with IEC 268-5 Power Handling Capacity (PHC) standards. Philips has also developed the Simulated Acoustical Feedback Exposure (SAFE) test to demonstrate that they can withstand two times their rated power for short durations. This ensures extra reliability under extreme conditions, leading to higher customer satisfaction, longer operating life, and much less chance of failure or performance deterioration.

#### **Safety aspects**

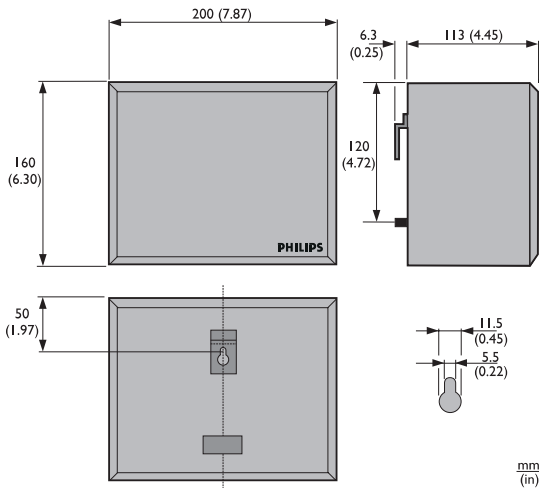
In common with all Philips products, care is taken to meet high safety standards. This loudspeaker complies with the relevant safety and installation requirements of EN 60065.

SPECIFICATIONS

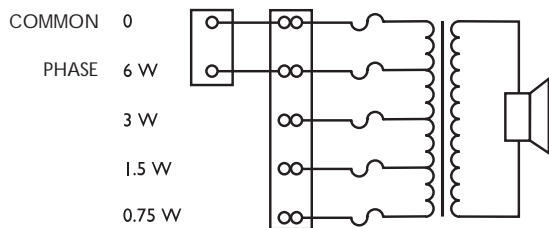
# LBC 3931/00

CABINET LOUDSPEAKER

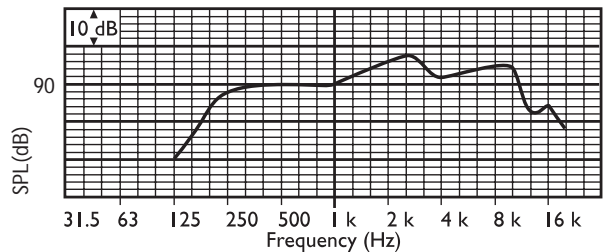
LBC 3931/00



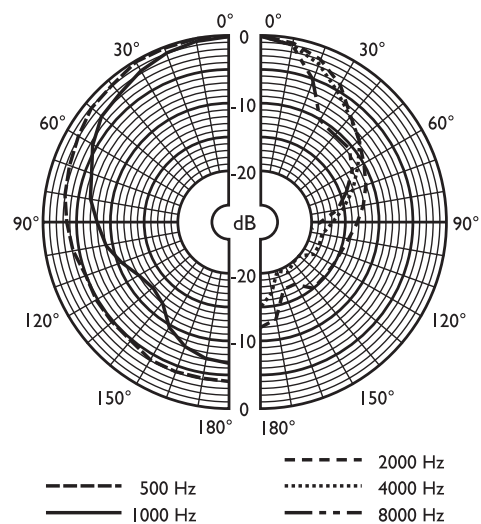
Dimensions (in mm/in)



Circuit diagram



Frequency response



Polar diagram horizontal and vertical (measured with pink noise)

TECHNICAL PERFORMANCE DATA ACC. TO IEC 268-5

	LBC 3931/00
Max. power	9 W
Rated power (PHC)	6 W (6 - 3 - 1.5 - 0.75 W)
Sound pressure level at rated power /1 W (at 1 kHz, 1 m)	98/90 dB (SPL)
Effective frequency range (-10 dB)	200 Hz to 15 kHz
Opening angle (at 1 kHz/4 kHz, -6 dB)	150°/70°
Rated voltage	100 V
Rated impedance	1667 Ω
Ambient temperature range	-25 °C to +55 °C
Safety	acc. to EN 60065
Connection	push-in terminal block
Dimensions (HxWxD)	200 x 160 x 113 mm (7.9 x 6.3 x 4.4 in)
Colour	black
Weight	1.6 kg (3.5 lb)

LBC 3931/00

Octave band (Hz)	125	250	500	1 k	2 k	4 k	8 k
SPL 1.1	74	88	89	90	95	92	93
SPL max.	82	96	97	98	103	100	101
Q-factor	1.6	1.6	1.9	4	9.3	10.7	13.5
Efficiency	0.02	0.5	0.5	0.32	0.43	0.19	0.19
Hor. angle	180	180	180	150	75	70	50
Vert. angle	180	180	180	150	75	70	50



# PHILIPS

Let's make things better.