

- DYNAMIC TRANSDUCER •
- UNI-DIRECTIONAL HAND-HELD MICROPHONE •
- HIGH SPEECH INTELLIGIBILITY •
- RUGGED CONSTRUCTION •
- MODERN NON-REFLECTIVE DARK GREY FINISH •



L B B 9 0 9 9 / 1 0

MICROPHONE

The Philips uni-directional hand-held microphone provides cost-effective high-quality speech intelligibility and is fully compatible with other public address equipment. It is based on a dynamic transducer element in a sturdy housing with shielding against wind and windbursts ("plops"). The microphone has excellent cardioid directivity, so reducing acoustic feedback.

The microphone is intended for public address and sound reinforcement applications such as in leisure centres, assembly halls and shops.

The LBB 9099/10 microphone features a 2-pole on/off slide-switch with electrically isolated contacts for remote-control switching, if required. This feature can be used to automatically switch background music off, or sound announcement chimes when the microphone is activated.

A coiled cable with an extended length of approximately 1,2 m terminated with a lockable 5-pole DIN plug is fitted to the microphone. For stowage, a wall-mounting bracket is supplied. Together, these features make this model ideal for announcement applications.

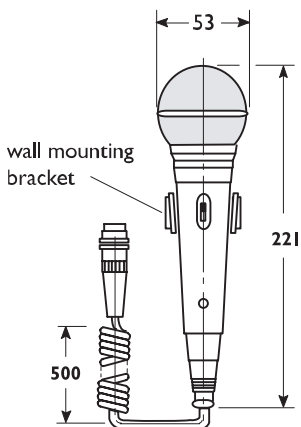
SPECIFICATIONS

LBB 9099/10

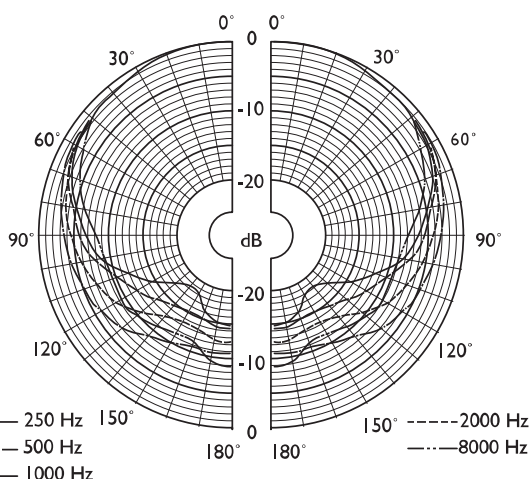
MICROPHONE

TECHNICAL PERFORMANCE DATA ACC. TO IEC 268-4

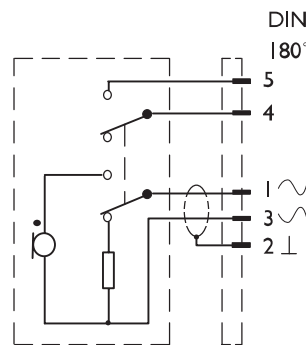
Type	hand-held
Polar pattern	uni-directional
Frequency range	100 Hz to 13 kHz
Sensitivity	2 mV/Pa ±4 dB
Rated output impedance	600 Ω
Remote control switching	yes
Cable length	0.5 m coiled (1.2 m uncoiled)
Connector	5-pole 180° DIN, lockable
Ambient temperature range	-10 to +55 °C
Dimensions (Dia x L)	53 x 221 mm
Supplied with	wall mounting bracket
Colour	dark grey
Weight	420 g



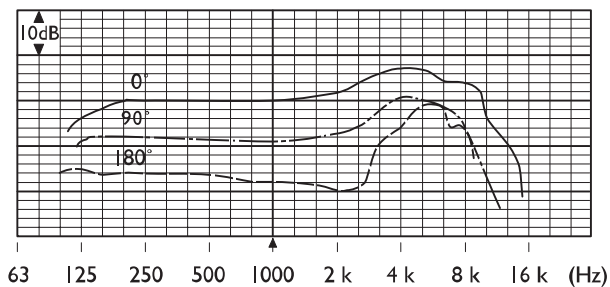
Dimensions (in mm)



Polar diagram (measured with pink noise)



Circuit diagram



Frequency response



PHILIPS

Let's make things better.