

- HIGH-FIDELITY MUSIC AND SPEECH REPRODUCTION •
- EXTENDED FREQUENCY RANGE •
- SELECTABLE 8 OHM AND 100V INPUTS •
- COMPACT YET ROBUST ENCLOSURE •
- PERFORATED METAL GRILLE •
- SUPPLIED WITH ADJUSTABLE WALL-MOUNTING BRACKET •
- HORIZONTAL AND VERTICAL MOUNTING •
- COMPLIES WITH INTERNATIONAL INSTALLATION AND SAFETY REGULATIONS •

Philips loudspeakers offer a combination of quality, performance and innovation in public address. They are the result of over half a century's experience in professional audio, and meet virtually all sound reinforcement system requirements.

Prosound Cabinet loudspeakers

Philips Prosound Cabinet loudspeakers deliver professional performance from a compact robust enclosure. They have been developed to meet the increasing demands for high-quality background music reproduction in indoor applications.

A two-way loudspeaker filter extends the frequency range at both low and high frequencies to provide excellent music reproduction in shops, bars, boutiques, etc.

Two models

The range comprises two models, offering a choice of 10 W or 25 W power handling capacity. The compact enclosures are made from tough ABS material which guarantees excellent bass response. The solid construction and appealing design is augmented by a perforated metal grille, which covers the front of the enclosure.

The LBC 3410/01 is a 10 W loudspeaker cabinet. It is fitted with two loudspeakers, a high-frequency tweeter and a low-frequency woofer with dual voice coil, coupled using appropriate L-C filters.

The LBC 3411/01 loudspeaker cabinet delivers 25 W and is similar in construction to the lower power model, but has larger loudspeakers, and is housed in a larger enclosure.

Mounting

The cabinets can be mounted horizontally and/or vertically and are fitted with a rotatory logo. For wall mounting the loudspeakers, a sturdy mounting bracket is provided with two lockable swivel joints to allow the



LBC 3410/01



LBC 3411/01

LBC 3410/01, LBC 3411/01

PROSOUND CABINET LOUDSPEAKERS

sound to be easily directed. The bracket is fitted to the rear of the enclosure, and is adjustable in two perpendicular planes.

Electrical connection

All models are supplied with a built-in 100 V line transformer and an separate eight Ohm connection (bypassing the line transformer). The loudspeakers can be connected for either 100 V or low-ohmic supply by means of a 4-pole push button socket located at the back of the enclosure.

SPECIFICATIONS

LBC 3410/01, LBC 3411/01

PROSOUND CABINET LOUDSPEAKERS

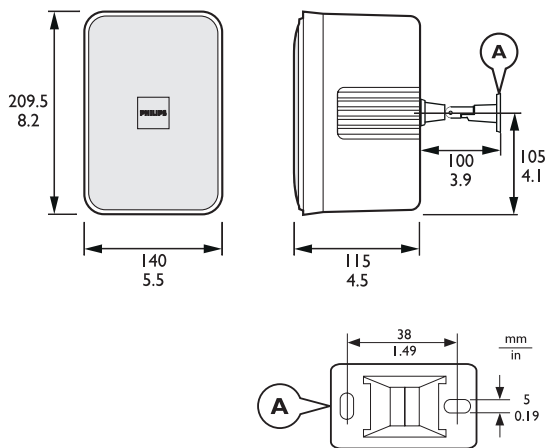
Quality Assurance

All Philips loudspeakers are designed to withstand operating at their rated power for 100 hours in accordance with IEC 268-5 Power Handling Capacity (PHC) standards. Philips has also developed the Simulated Acoustical Feedback Exposure (SAFE) test to demonstrate that they can withstand two times their rated power for short durations. This ensures extra reliability under extreme conditions, leading to higher customer satisfaction, longer operating life, and much less chance of failure or performance deterioration.

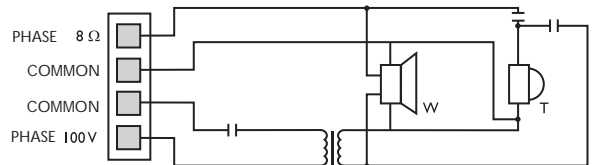
Safety aspects

In common with all Philips products, care is taken to meet high safety standards. These loudspeaker cabinets comply with the relevant safety and installation regulations of EN 60065. All plastic parts are self-extinguishing according to UL 94V0.

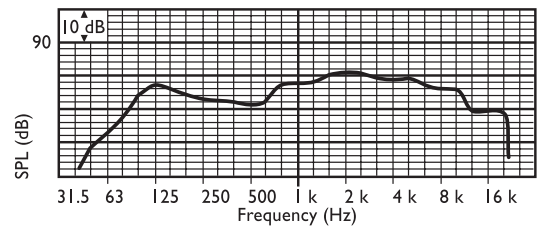
LBC 3410/01



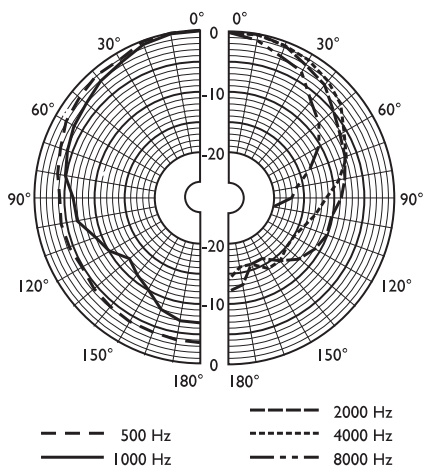
Dimensions (in mm/in)



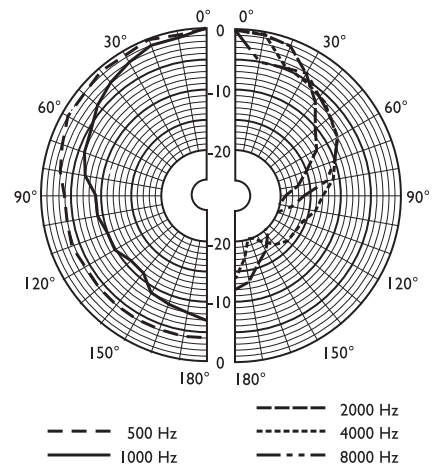
Circuit diagram



Frequency response



Polar diagram horizontal (measured with pink noise)



Polar diagram vertical (measured with pink noise)

SPECIFICATIONS

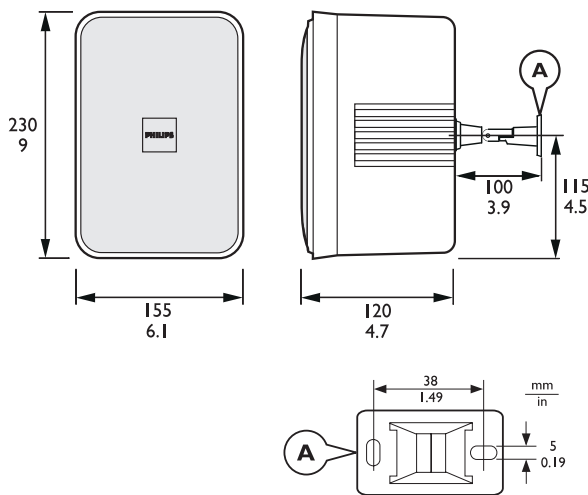
LBC 3410/01, LBC 3411/01

PROSOUND CABINET LOUDSPEAKERS

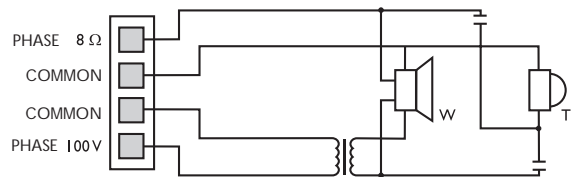
TECHNICAL PERFORMANCE DATA ACC. TO IEC 268-5

	LBC 3410/01	LBC 3411/01
Max. power	15 W	40 W
Rated power (PHC)	10 W	25 W
Sound pressure level at rated power/1 W (at 1 kHz, 1 m)	96 dB/86 dB (SPL)	102 dB/88 dB (SPL)
Effective frequency range (-10 dB)	110 Hz to 20 kHz	100 Hz to 20 kHz
Opening angle (at 1 kHz/4 kHz, -6 dB)	horizontal 170°/130° vertical 140°/90°	180°/120° 130°/110°
Rated voltage	100 V/8.8 V	100 V/14.1 V
Rated impedance	1000/8 Ω	400/8 Ω
Speaker size	1 7/8"	1 7/8"
Magnet weight	8 oz/3.5 oz	10 oz/3.5 oz
Ambient temperature range	-25 to +55 °C (-13 to 131 °F)	-25 to +55 °C (-13 to 131 °F)
Safety	acc. to EN 60065	acc. to EN 60065
Self-extinguishing	acc. to UL 94V0	acc. to UL 94V0
Dimensions (H x W x D)	209.5 x 140 x 121.5 mm (8.2 x 5.5 x 4.8 in)	230 x 155 x 126.5 mm (9.1 x 6.1 x 5 in)
Colour	white RAL 9010	white RAL 9010
Weight	2.1 kg (4.6 lb)	2.6 kg (5.7 lb)

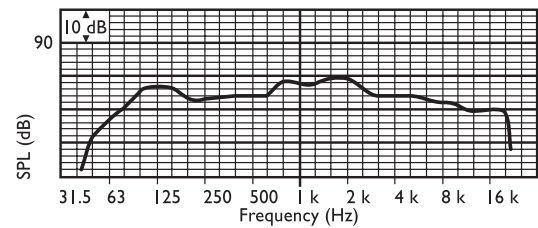
LBC 3411/01



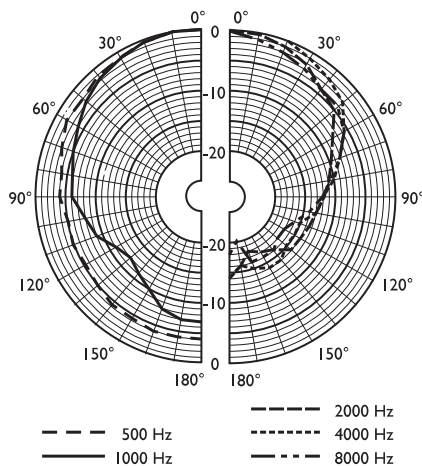
Dimensions (in mm/in)



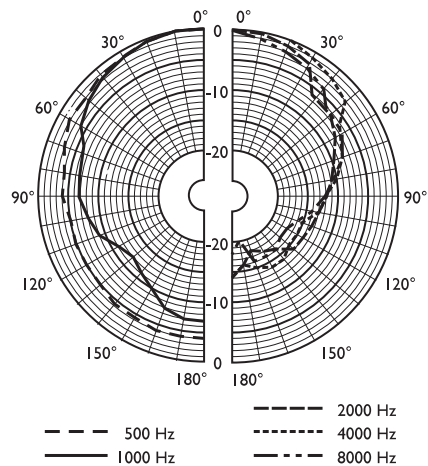
Circuit diagram



Frequency response



Polar diagram horizontal (measured with pink noise)



Polar diagram vertical (measured with pink noise)

SPECIFICATIONS

LBC 3410/01, LBC 3411/01

PROSOUND CABINET LOUDSPEAKERS

LBC 3410/01

Octave band (Hz)	125	250	500	1 k	2 k	4 k	8 k
SPL 1.1	84	81	81	86	88	87	84
SPL max.	94	91	91	96	98	97	94
Q-factor	1.1	1.1	1.8	3.6	6.5	6	10
Efficiency	0.28	0.13	0.09	0.14	0.12	0.1	0.03
Hor. angle	360	360	360	170	120	130	80
Vert. angle	360	360	360	140	70	90	80

LBC 3411/01

Octave band (Hz)	125	250	500	1 k	2 k	4 k	8 k
SPL 1.1	85	83	84	88	89	84	83
SPL max.	99	97	98	102	103	98	97
Q-factor	1.1	1.3	2.2	3.6	7.8	6.5	7.8
Efficiency	0.35	0.19	0.14	0.22	0.13	0.05	0.03
Hor. angle	360	360	360	180	110	120	120
Vert. angle	360	360	360	130	75	110	90



PHILIPS

Let's make things better.