

- HIGH-QUALITY SOUND PROJECTOR
- EXCELLENT SPEECH AND MUSIC REPRODUCTION
- SPLASH-WATERPROOF
- TOUGH, IMPACT-RESISTANT ENCLOSURE
- SIMPLE POWER SETTING
- ROBUST MOUNTING BRACKET
- COMPLIES WITH INTERNATIONAL INSTALLATION AND SAFETY REGULATIONS

The Philips LBC 3003/14 is an 18 W sound projector intended for high-quality speech and music reproduction in a wide range of in- and outdoor applications, including sports grounds and halls, swimming pools and parks.

The enclosure is completely sealed, improving the low-frequency reproduction. It offers high-quality sound reproduction, and the enclosure is protected against the ingress of water and moisture.

The unit features an enclosure made from high-impact Styrosun. This material is not only tough, but also highly resistant to attack from most industrial chemicals. The enclosure is finished in light and dark beige.

Power setting

The built-in 100 V line transformer allows direct connection to a 100 V amplifier output, and taps on the primary winding make it possible to select an output power of 18, 9 or 4.5 W (full-, half-, or quarter-power radiation).

Mounting

A sturdy mounting bracket is supplied to allow easy mounting and directing of the loudspeaker enclosure in virtually any position. Note that this model should not be mounted with the grille facing upwards. The enclosure may also be suspended from its cable without using the bracket (see photograph overleaf).

Quality assurance

All Philips loudspeakers are designed to with-stand operating at their rated power for 100 hours in accordance with IEC 268-5 Power Handling Capacity (PHC) standards. Philips has also developed the Simulated Acoustical Feedback Exposure (SAFE) test to



LBC 3003/14

SOUND PROJECTOR

demonstrate that they can withstand two times their rated power for short durations. This ensures extra reliability under extreme conditions, leading to higher customer satisfaction, longer operating life, and much less chance of failure or performance deterioration.

Safety aspects

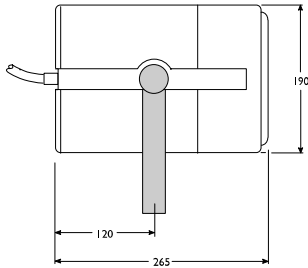
In common with all Philips products, care is taken to meet the highest safety standards. This sound projector complies with the relevant safety and installation regulations of EN 60065.

SPECIFICATIONS

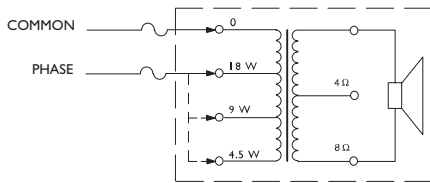
LBC 3003/14

SOUND PROJECTOR

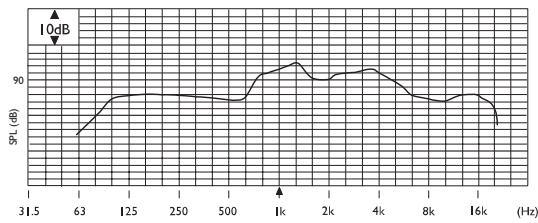
LBC 3003/14



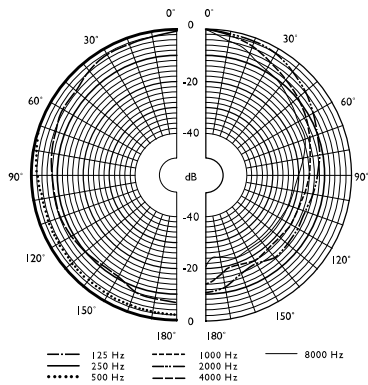
Dimensions (in mm)



Circuit diagram



Frequency response



Polar diagram (measured with pink noise)

Octave band (Hz)	125	250	500	1 k	2 k	4 k	8 k
SPL 1.1	86	84	86	93	92	91	87
SPL max.	99	97	99	106	105	104	100
Q-factor	1.3	1.5	1.8	2.8	7.2	15	34
Efficiency	0.4	0.2	0.3	0.9	0.3	0.1	0.02
Hor. angle	360	360	360	140	100	60	40
Vert. angle	360	360	360	140	100	60	40

9498 974 06316 01-07

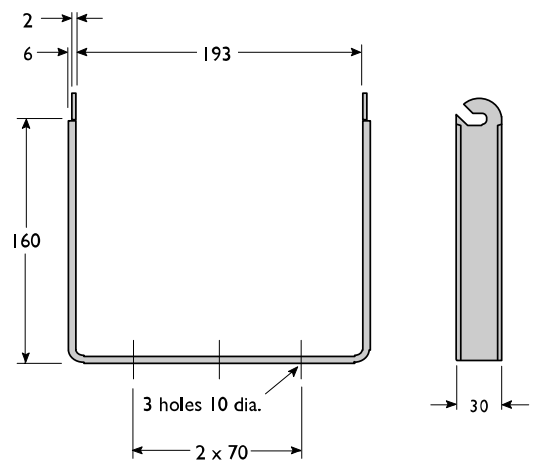
© 2001 Philips Electronics N.V.

TECHNICAL PERFORMANCE DATA ACC. TO IEC 268-5

	LBC 3003/14
Max. power	25 W
Rated power (PHC)	18 W (18 - 9 - 4.5 W)
Sound pressure level at 18 W/1 W (at 1 kHz, 1 m)	106 dB/93 dB (SPL)
Effective frequency range (-10 dB)	120 Hz to 18 kHz
Opening angle (at 1 kHz/4 kHz, -6 dB)	140°/60°
Rated voltage	100 V
Rated impedance	555 Ω
Ambient temperature range	-25 to +55 °C
Safety	acc. to EN 60065
Water protection	acc. to EN 60529 IPx5
Connection cable length	2-wire 750 mm
Dimensions	
Di. x L	190 x 265 mm
Colour	dark beige (40429) light beige (40317)
Weight	2.9 kg



Enclosure may be suspended from its cable



Dimensions (in mm)



PHILIPS

Let's make things better.