

- EXCELLENT SPEECH AND MUSIC REPRODUCTION •
- VERY WIDE OPENING ANGLE •
- MODERN UNOBTUSIVE STYLING •
- SIMPLE POWER SETTING •
- COMPACT YET POWERFUL •
- COMPLIES WITH INTERNATIONAL INSTALLATION AND SAFETY REGULATIONS •

Philips Sound Projector (LBC 3941/01) provides impressive audio performance at an economical price. The 9 W (maximum power) projector provides localized sound projection, similar in concept to a spotlight, and is suitable for indoor applications including shopping malls, factories, restaurants and exhibitions.

Excellent audio performance

The sound projector features a very wide opening angle (90 degrees) which means fewer units are required to cover a given area. Its wide frequency range also results in better speech and music reproduction, while the directivity ensures that the sound is accurately projected to where it is needed most.

Unobtrusive styling

The LBC 3941/01 sound projector is finished in an attractive off-white RAL colour, and its unobtrusive appearance complements today's interior lighting. The colour and styling of the front grille matches an existing Philips ceiling loudspeaker (LBC 3951/01).

Easy to install

The sound projector is supplied with a steel mounting bracket painted in off-white. The bracket has three 10 mm holes, which can be used to easily mount the projector to walls and ceilings. The direction of the projector can be adjusted by means of two screws covered with off-white plastic covers. The unit is supplied with a 2 m colour-coded five-core cable, with each colour connected to a different primary tap on the matching transformer. This makes it easy to select full-power, half-power, quarter-power and eighth-power radiation without opening the unit during installation.

Quality assurance

All Philips loudspeakers are designed to withstand operating at their rated power for 100 hours in accordance with IEC 268-5 Power Handling Capacity (PHC) standards. Philips has also developed the Simulated Acoustical Feedback Exposure (SAFE) test to demonstrate that they can withstand two times their

rated power for short durations. This ensures extra reliability under extreme conditions, leading to higher customer satisfaction, longer operating life, and much less chance of failure or performance deterioration.

Safety aspects

The enclosures are made from high-impact self-extinguishing ABS (acc. to class UL 94V0). In common with all Philips products, care is taken to meet high safety standards. These sound projectors comply with all the relevant safety and installation regulations of EN 60065.



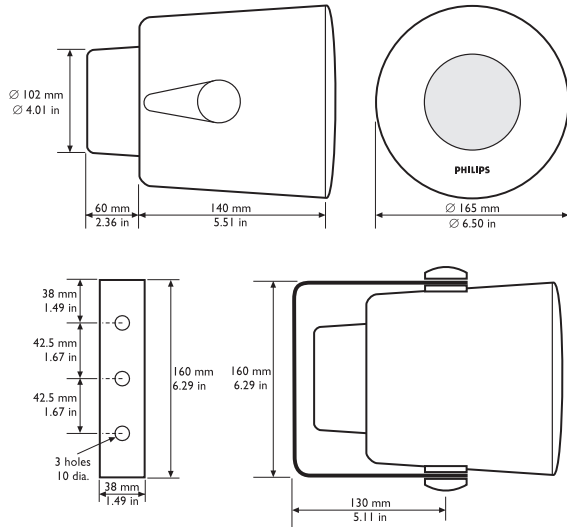
L B C 3 9 4 1 / 0 1

SOUND PROJECTOR

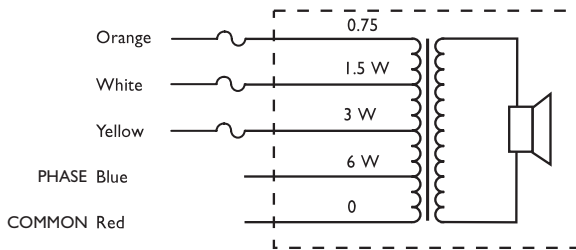
SPECIFICATIONS

LBC 3941/01

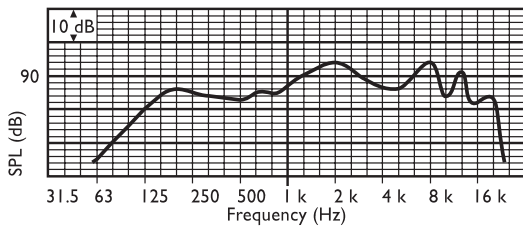
SOUND PROJECTOR



Dimensions (in mm/in)



Circuit diagram

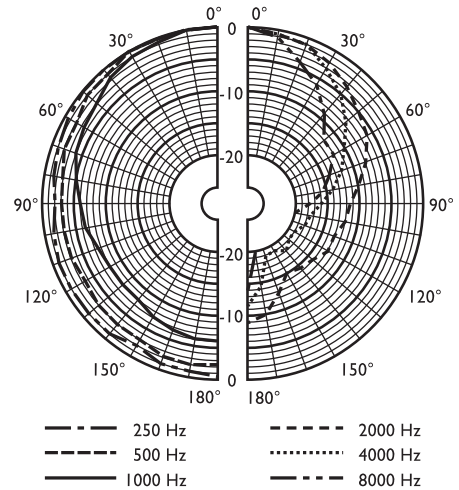


Frequency response

TECHNICAL PERFORMANCE DATA ACC. TO IEC 268-5

LBC 3941/01

Maximum power	9 W
Rated power (PHC)	6 W (6 - 3 - 1.5 - 0.75 W)
Sound pressure level at 6 W/1 W (at 1 kHz, 1 m)	96 dB/88 dB (SPL)
Effective frequency range (-10 dB)	130 Hz to 18 kHz
Opening angle (at 1 kHz/4 kHz, -6 dB)	180°/90°
Rated voltage	100 V
Rated impedance	1667 Ω
Speaker size	4"
Magnet weight	3.57 oz
Ambient temperature range	-25 to +55 °C
Safety	acc. to EN 60065
Self-extinguishing	acc. to UL 94V0
Connection	
Cable	5-wire
Length	2 m
Dimensions	
Diameter	165 mm (6.50 in)
Length	200 mm (7.87 in)
Colour	off-white (RAL 9010)
Weight	1.5 kg (3.3 lb)



Polar diagram (measured with pink noise)

Octave band (Hz)	125	250	500	1 k	2 k	4 k	8 k
SPL 1.1	82	84	83	88	92	88	88
SPL max.	90	92	91	96	100	96	96
Q-Factor	1.2	1.2	1.6	2.9	5.1	8.5	18
Efficiency	0.17	0.26	0.16	0.28	0.39	0.09	0.04
Hor. angle	360	360	360	180	120	90	60
Vert. angle	360	360	360	180	120	90	60



PHILIPS

Let's make things better.